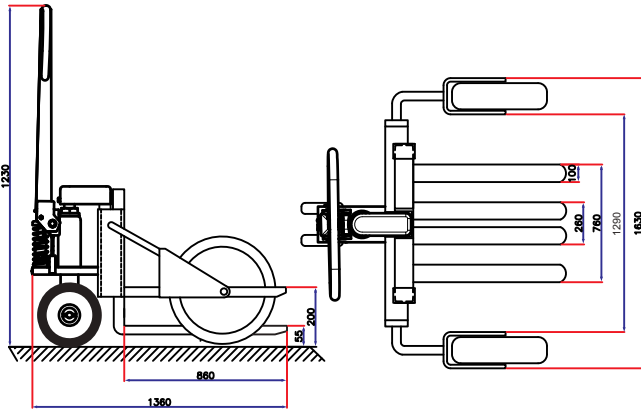


AT-10

- ❑ 1000kg capacity adjustable forks All Terrain Pallet Truck
- ❑ Fitted with pneumatic tires for use on undulating surfaces.
- ❑ Heavy duty steel frame.
- ❑ Fitted with adjustable 860mm long forks, can lower down to a minimum fork height of 50mm.
- ❑ Ideal for open and closed pallet.
- ❑ Hand release trigger, easy to maneuver with 210 degrees turning radius.
- ❑ Low maintenance pump unit.
- ❑ Hand release trigger to control the rate of lowering.



| Particulars | Unit | Specification |
|-----------------------------|------|----------------|
| Capacity Q | Kg | 1000 |
| Fork Length L1 | mm | 860 |
| Fork width e | mm | 100 |
| Adjustable Fork Width w1-w2 | mm | 260-760 |
| Max. Fork Height H (Max) | mm | 200 |
| Min. Fork Height H (Min) | mm | 55 |
| Max. Pump Stroke | mm | 145 |
| Overall Size LxWxH | mm | 1630x1360x1230 |
| Front Wheel Dia. x Width | mm | 420x120 |
| Rear Wheel Dia. x Width | mm | 200x50 |
| With inside the front wheel | mm | 1290 |



PUMA LIFT TRUCKS PVT. LTD.

Plot No. 265/1B & A-69 (KSSIDC), Bommasandra Industrial Area, Bengaluru - 560 099, INDIA

Telefax : + 91-80-2783 4455 / 5785 / 6085 / 6088 / 6555

E-mail : info@pumalift.net Website : www.pumalift.net