

HL-8/10

- ❑ Light and Manoeuvrable
- ❑ Compact
- ❑ Easy to operate
- ❑ Silent in operation
- ❑ Economical
- ❑ Minimum maintenance
- ❑ Versatile

**Salient Features**

HL-8/10 is a special pallet truck which combines the advantages of hand pallet truck and the adjustable worktable. The forks of the pallet truck can be rapidly and easily lifted by means of the hydraulic pump which is operated with the drawbar. The quality and reliability of HL-8/10 is very high because.

PHL- 8/10 is equipped with adjustable stabilizers. At 350 mm they lift the steering wheels above the floor. This ensures that the equipment remains stationary when being used as a worktable.

And of course

PUMA Lift offers tailor-made versions for specific requirements such as galvanised version for cold store application.

Full Function Control Handle

Hand lowering is the key to productivity. The loads are conveniently deposited by three position (Lift, Neutral and Lower) control handle.

The ergonomically designed handle makes lifting loads and steering easier.

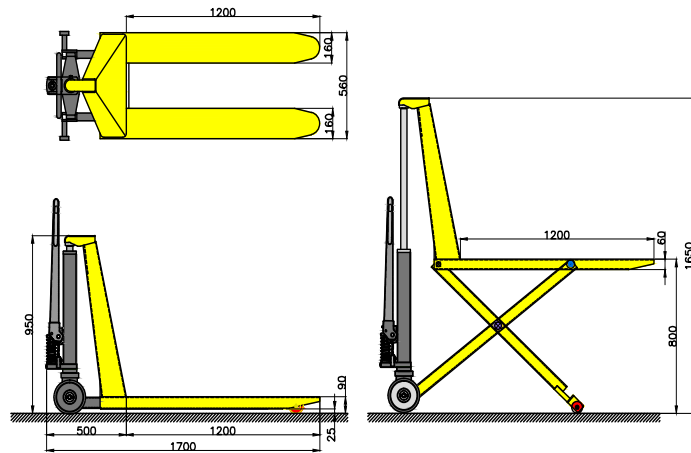
The neutral position eliminates back pressure from the pump thus allowing the operator to handle the load with ease.

The spring-loaded handle returns to vertical position when released.

A few strokes of the handle provide a full lift of 800 mm.

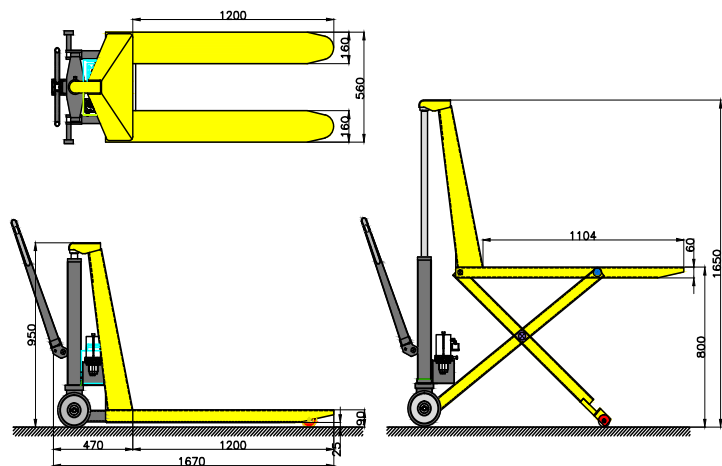
Technical Specification

SPECIFICATIONS	
Model	HL-8
Load Capacity	800 kgs
Lift Height	800mm
Minimum Height	90 mm
Fork size	1150x560mm
Lift/Stroke	14mm
Weight	122kgs



Semi High Lifting Hand Pallet Trucks

Model	Unit	HL-8E
Load Capacity	Kg	800
Lift Height	mm	800
Min Height	mm	90
Over All Length	mm	1670
Over All Width	mm	560
Extended Height	mm	1650
Fork Size	mm	1200x560
Pump Motor	K.w	1.5
Battery	AH	135
Charger	Amps	15
Wheels	Metal	Nylon



PUMA LIFT TRUCKS PVT. LTD.

Plot No. 265/1B & A-69 (KSSIDC), Bommasandra Industrial Area, Bengaluru - 560 099, INDIA

Telefax : + 91-80-2783 4455 / 5785 / 6085 / 6088 / 6555

E-mail : info@pumalift.net Website : www.pumalift.net