

Model : HPT -Series

"PUMA LIFT" is born to manufacture world class Hand Pallet Trucks to the world with automated plant with robotics, have capacity of 6,000 units per month. New Infrastructure has been created for improving Quality, Timely Delivery, and Service. As an organization, we are committed to strive & achieve utmost customer satisfaction by supplying Quality products at the right time & providing excellent Sales & Service support. We have been started with one model HPT – 25C & the Stainless Steel Version HPT – 25C- SS, down line company has plans to launch 2 more models of Hand Pallet Trucks



Model : HPT-25C-20
(Powder Coating)



Model : HPT-25C-20 SS
(Stainless Steel)

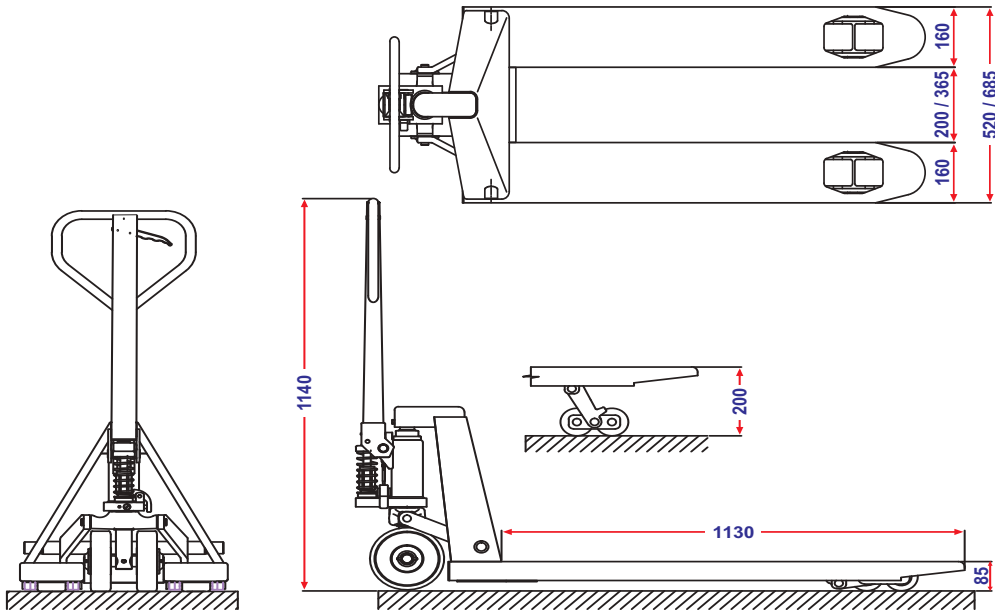
- ❑ Most compact and popular design of pump unit.
- ❑ Simplified spare parts, higher performance with low repair cost.
- ❑ Reliable oil leak-proof hydraulic system.
- ❑ Ergonomic handle shape, robust and durable.
- ❑ Additional entry and exit fork rollers guarantees for maximum stability and safety for transporting goods on slopes.

Neutral Position

When the draw bar is moved slowly, the neutral position ensures that the load is not lifted (driving position). When the draw bar is moved a little faster, the load is lifted the usual way (lifting function).

A few strokes of the handle provide 110mm of lift, and the HPT 25C heavy duty pump is built to take thousands of pick-up and deposit cycles, The pump's "top-of-stroke" hydraulic fluid bypass minimizes stresses on system when load is raised to maximum lift height

Technical Specification



Model	Unit	HPT - 25C	HPT - 25C	HPT - 25C-SS	HPT - 25C-SS
Load Capacity	Kg	2500	2500	2500	2500
Fork Width	mm	520	685	520	685
Lowered Height	mm	90	90	90	90
Lift Height	mm	110	110	110	110
Fork Length	mm	1130	1130	1130	1130
Raised Height	mm	200	200	200	200
Steer wheels	mm	180x50	180x50	180x50	180x50
Load wheels	mm	80x70	80x70	80x70	80x70
Wheels		Nylon	Nylon	Nylon	Nylon
Weight	Kg	72	78	72	78

* All dimensions are in millimeters



PUMA LIFT TRUCKS PVT. LTD.

Plot No. 265/1B & A-69 (KSSIDC), Bommasandra Industrial Area, Bengaluru - 560 099, INDIA

Telefax : + 91-80-2783 4455 / 5785 / 6085 / 6088 / 6555

E-mail : info@pumalift.net Website : www.pumalift.net