

Model

HS-5/8/10/12

- ❑ Light and Manoeuvrable
- ❑ Compact
- ❑ Easy to operate
- ❑ Silent in operation
- ❑ Economical
- ❑ Minimum maintenance
- ❑ Versatile



These are light and maneuverable stackers with function. Loading, unloading and Stacking can be done with the same machine. Its versatility is further enhanced as it can be used as an adjustable work table. Extremely economical in operation. they are very useful in types of industries

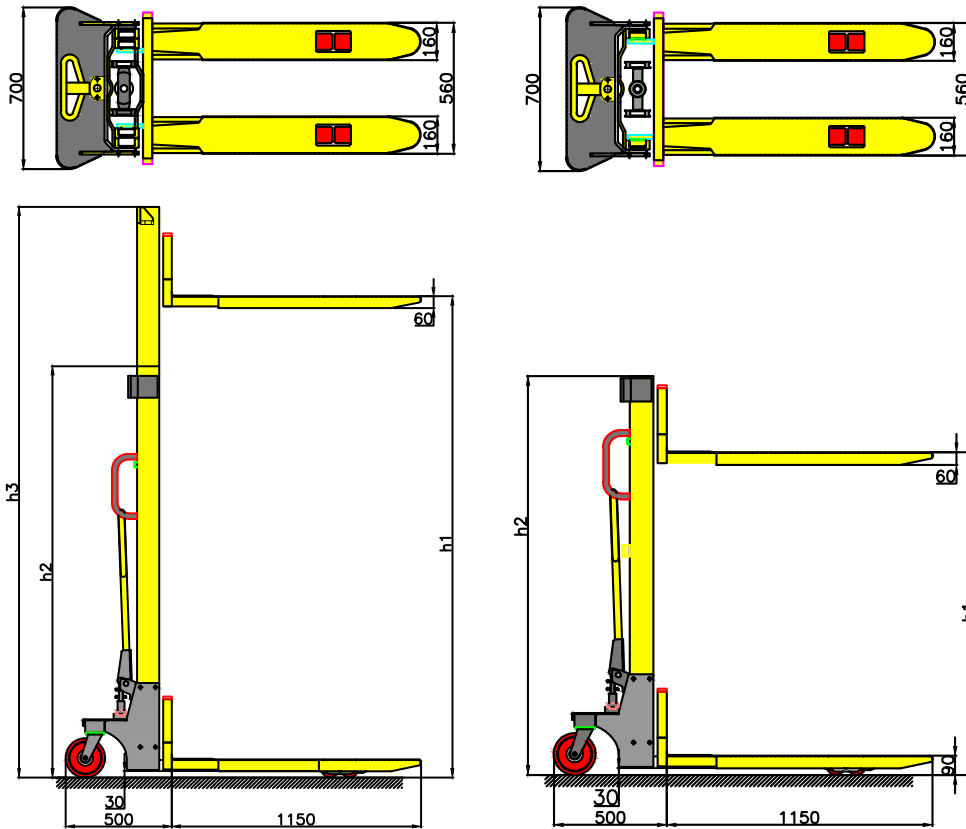
They are suitable where lifting is primary and transport distance short. Existing warehouse capacity can be used more efficiently by use of the possible stacking height. HS 10/12/14 are also offered in 'W-version' which aim at graded capacity at high lifts.

Puma Lift Stackers: an indispensable auxiliary for all Industries .

MAST: is made of hot rolled special steel profiles, Together with the narrow cross - members it gives a light and very stable construction. The inner and outer masts are furnished with side thrust rollers preventing lateral play.

CARRIAGE AND FORKS : The carriage has an open center section and low profiles forks with inner reinforcements. The outside fork spread is 560mm and 685mm can also be supplied. The standard fork length is 1150mm but special lengths are available

Technical Specification



SPECIFICATIONS								
Model	HS-5		HS-8		HS-10		HS-12	
Basic load Capacity	500 kgs		800 kgs		1000 kgs		1000 kgs	
Mast type	Mono	Tele	Mono	Tele	Mono	Tele	Mono	Tele
lowered height (mm)	90	90	90	90	90	90	90	90
Lift Height (mm)	1600	2000	2050	1600	2050	1600	2050	1600
Shut Height (mm)	2050	1600	1600	2000	1600	2000	1600	2000
Extended height (mm)	-	2525	-	2525	-	2525	-	2525
Capacity at Max. Height	500Kgs	400Kgs	800Kgs	650Kgs	1000Kgs	700Kgs	1200Kgs	800Kgs



PUMA LIFT TRUCKS PVT. LTD.

Plot No. 265/1B & A-69 (KSSIDC), Bommasandra Industrial Area, Bengaluru - 560 099, INDIA

Telefax : + 91-80-2783 4455 / 5785 / 6085 / 6088 / 6555

E-mail : info@pumalift.net Website : www.pumalift.net