

PRV

TECHNICAL DATA



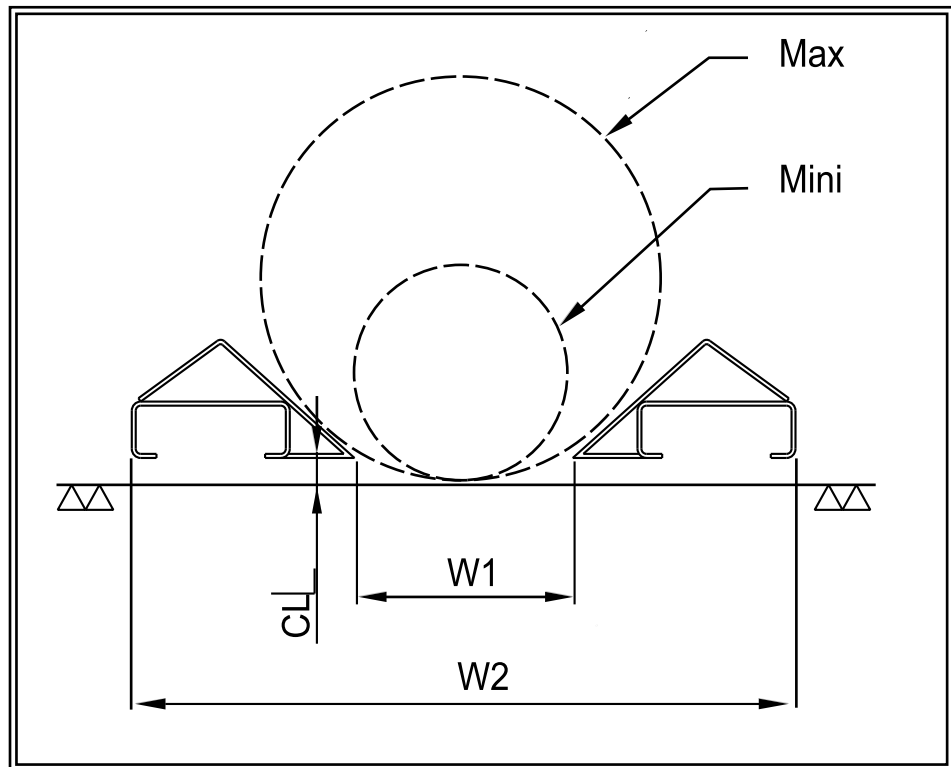
PAPER ROLE VERSION



SPECIFICATIONS				
Model No.	Roll Diameter	Fork Distance		Ground Clearance
	01 - 02	W1	W2	CL
PRV 1	400 - 700	316	813	15
PRV 2	500 - 800	375	845	15
PRV 3	600 - 900	412	883	15
PRV 4	700 - 1000	483	930	15
PRV 5	800 - 1100	515	964	25
PRV 6	900 - 1200	551	1000	25
PRV 7	1000 - 1300	570	1028	25
PRV 8	1100 - 1400	595	1071	25
PRV 9	1200 - 1500	625	1102	25
PRV 10	1300 - 1600	656	1134	25

Fantastic
Most Economical
Value for money
Rugged
Reliable

Standard fork length -810, 1000, 1130, 1220, 1520 mm



PUMA LIFT TRUCKS PVT. LTD.

Plot No. 265/1B & A-69 (KSSIDC),
Bommasandra Industrial Area,
Bangalore - 560 099, India.

Telefax : +91-80-2783 4455 / 5785
 +91-80-2783 6085 / 6088 / 6555
E-mail : info@pumalift.net