

# RT

## TECHNICAL DATA



### REACH TRUCK MODEL RT-20 A.C. TECHNOLOGY



2000 kg Basic Capacity  
8400 mm Lift Height



**Standard equipment specifications**

- | Hydraulic side shifter
- | Load backrest
- | FFTL mast
- | Low noise A.C. operated pump & motor
- | A.C. Operated Drive motor
- | Controller for lifting & lowering
- | Controller for Traction
- | Controller for Steering



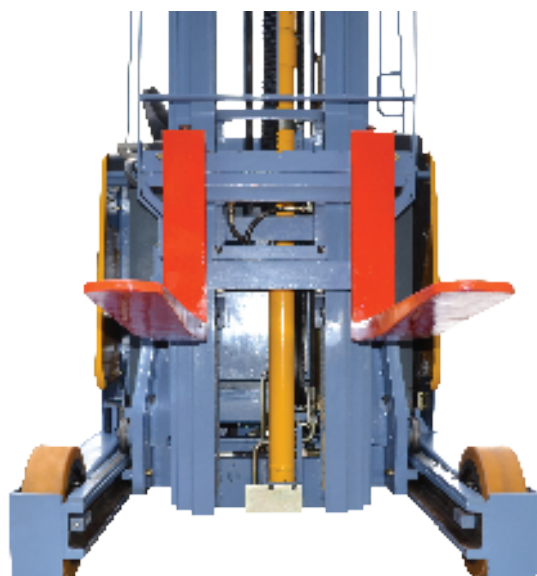
Electronic Power steering  
Battery indicator display & parking brake



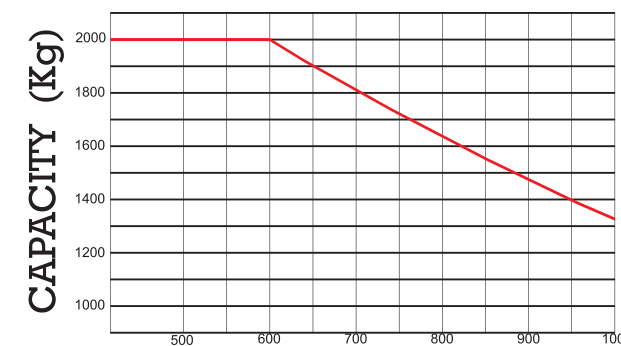
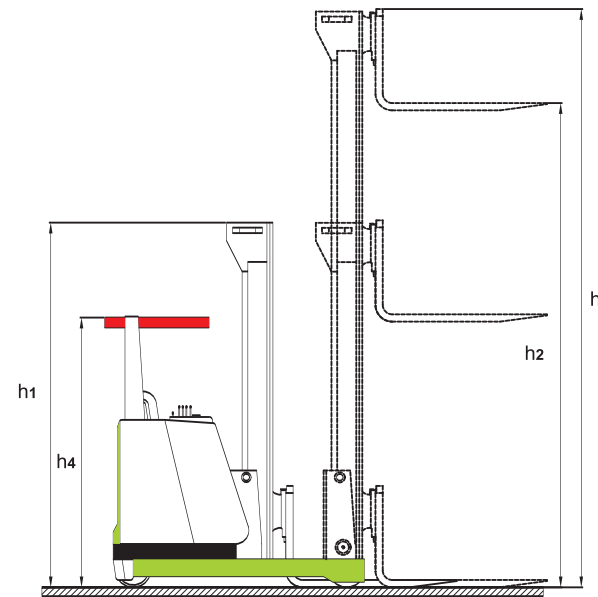
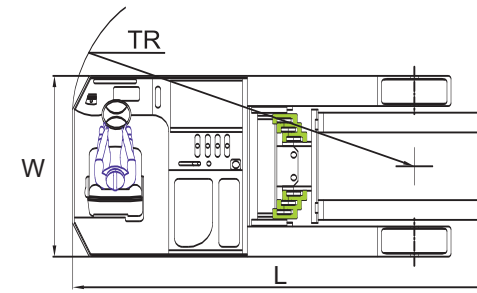
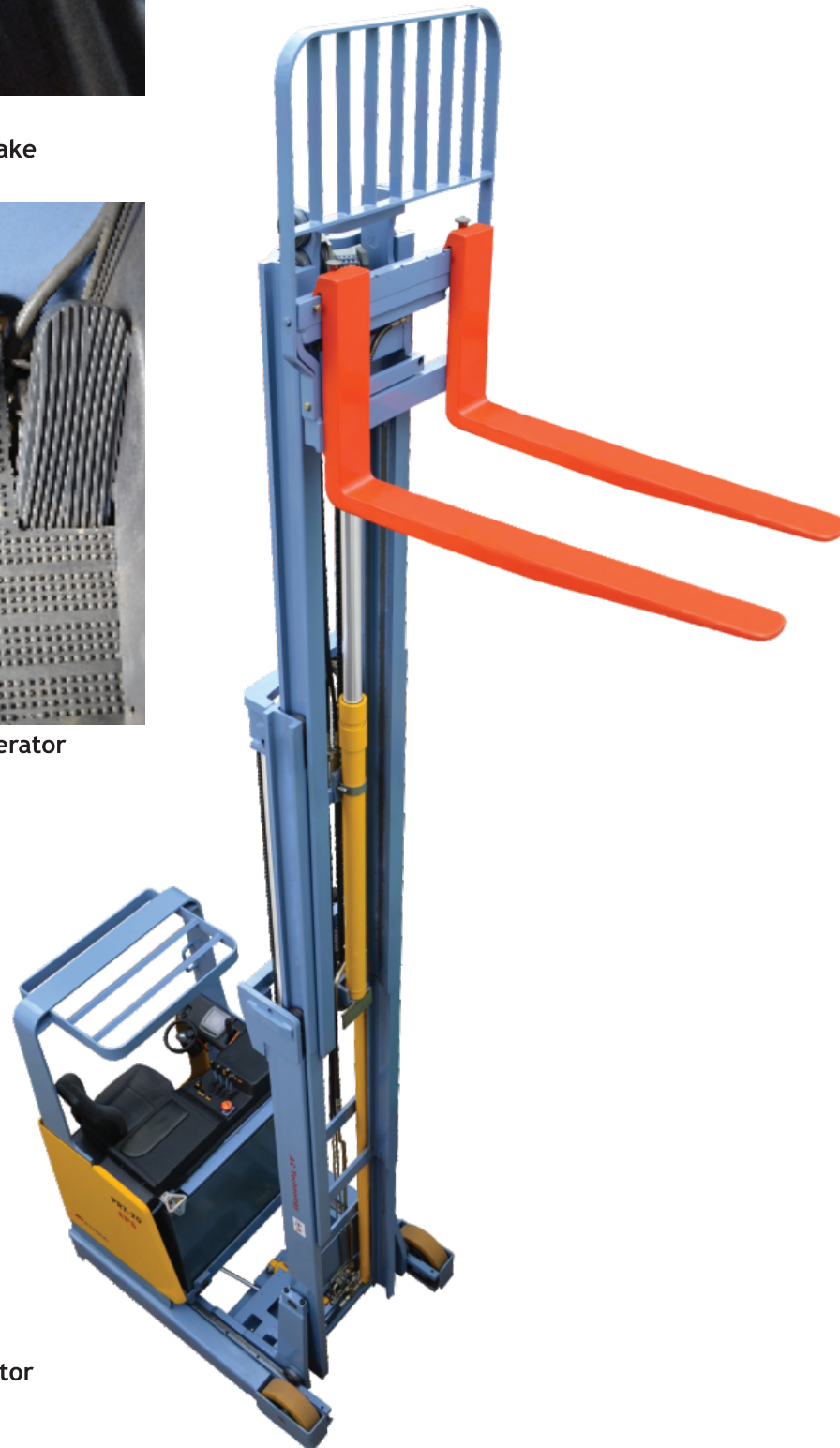
Electronic controlled lift & lowering functions



Brake & Accelerator



Hydraulic brake & Electronic accelerator



**Reach Truck Technical Specifications**

Particulars		Unit	Specifications
Basic Capacity		Kg	2000
Mast Type			3 Stage
Fork Size (L x W)		mm	1200 x (250 to 680)
Reach		mm	600
Steering			Electric
Load center		mm	600
Fork Minimum height		mm	80
Lift height	$h_2$	mm	7400 / 8400
Free Lift		mm	2420 / 2300
Shut Height	$h_1$	mm	3140 / 3580
Extended Mast Height	$h_3$	mm	8070 / 9100
Ground Clearance		mm	65
Overall Length		mm	2510+600
Over all Width of Equipment		mm	1240
Over Head guard height	$h_4$	mm	2210
Capacity at Full Height		Kg	1000 Kgs
Tilting Fork (front & back)			2° & 2°
Outer Turning Radius		mm	1780 mm
Working Aisle B/W Racking		mm	3200 mm
Battery	Voltage	DC volts	48
	Rating	Ah	500
Drive Motor	Voltage	AC Volts	28
	Rating	KW	6.4
Hydraulic Pump Motor	Voltage	AC Volts	32
	Rating	KW	8.6
Steering Motor	Voltage	AC Volts	28
	Rating	KW	0.58
Type of Controller	Drive/Lift/Steering		Mosfet AC
Service Brake			Hydraulic
Parking Brake			Mechanical
<b>Travel Speed</b>			
Laden		Km/hr.	8.5
Unladen		Km/hr.	9.5
<b>Lifting Speed</b>			
Laden		m/s.	0.25
Unladen		m/s.	0.28
<b>Reach Speed</b>			
Laden		m/s.	0.11
Unladen		m/s.	0.11
<b>Gradability</b>			
Laden		%	10
Unladen		%	15
Wheel Size - Front		mm	Dia 343x108
Wheel Size - Rear		mm	Dia 343x120
Wheel Type			Polyurethane
Total Weight of the Eqpt		kg	3450

Give us  
a call:

+91 80 2783 4455



## PUMA LIFT TRUCKS PVT. LTD.

Plot No. 265/1B & A-69 (KSSIDC),  
Bommasandra Industrial Area,  
Bangalore - 560 099, India.

Telefax: +91-80-2783 4455 / 2783 5785  
+91-80-2783 6085 / 088 / 555  
E-mail: info@pumalift.net

[www.pumalift.net](http://www.pumalift.net)