

AT-10

TECHNICAL DATA

Model : All Terrain Pallet Truck

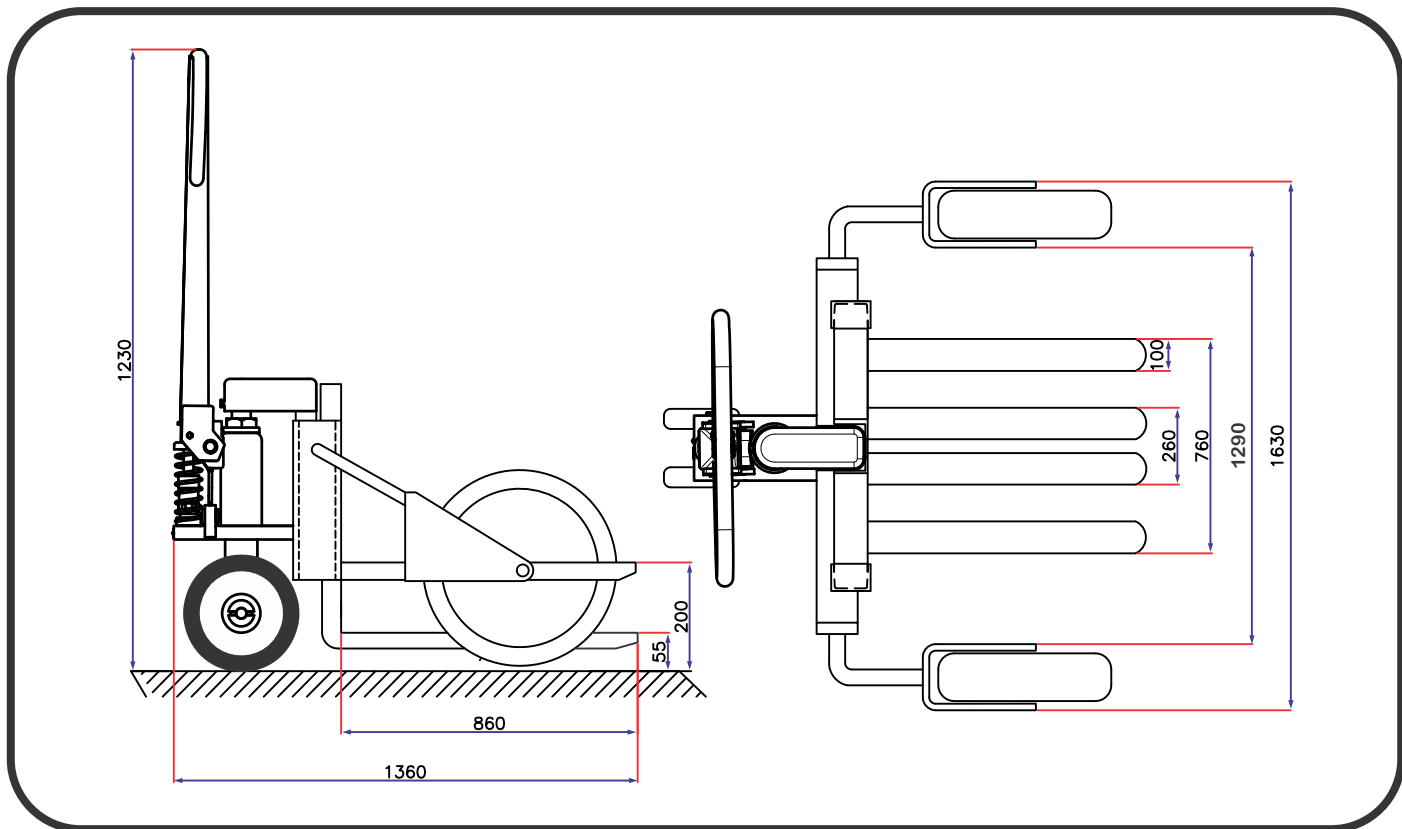


AT-10 All Terrain Pallet Truck

- 1000kg capacity adjustable forks All Terrain Pallet Truck
- Fitted with pneumatic tires for use on undulating surfaces.
- Heavy duty steel frame.
- Fitted with adjustable 860mm long forks, can lower down to a minimum fork height of 50mm.
- Ideal for open and closed pallet.
- Hand release trigger, easy to maneuver with 210 degrees turning radius.
- Low maintenance pump unit.
- Hand release trigger to control the rate of lowering.



AT-10 All Terrain Pallet Truck



All Terrain Pallet Truck Specifications

Particulars	Unit	Specification
Capacity Q	kg	1000
Fork Length L1	mm	860
Fork width e	mm	100
Adjustable Fork Width w1-w2	mm	260-760
Max. Fork Height H (Max)	mm	200

Min. Fork Height H (Min)	mm	55
Max. Pump Stroke	mm	145
Overall Size LxWxH	mm	1630x1360x1230
Front Wheel Dia. x Width	mm	420x120
Rear Wheel Dia. x Width	mm	200x50
With inside the front wheel	mm	1290



PUMA LIFT TRUCKS PVT. LTD.

265/1B & A-69 (KSSIDC), Bommasandra Industrial Area, Bengaluru - 560 099, India.
 +91-80-2783 4455 / 5785 / 6085/ 6088 / 6555 | info@pumalift.net | www.pumalift.net